

EVERGROW STAINLESS STEEL TREFOIL CLEAT



Tested to BS EN 50368: 2003

World Highest Short Circuit **264kA. Peak**

The advantages are: The unbroken folded edges give double strength compare with unfolded trefoil. The edges are smooth and eliminate the use of lining as it does not cut into the cable outer sheath. It's tested to have extremely high short circuit properties of 120kA RMS, 264kA kA peak.1.5mm Marine grade SS316 with folded sides. Offer supreme Lateral and Axial Movement results due to the unbroken sides of the edges.

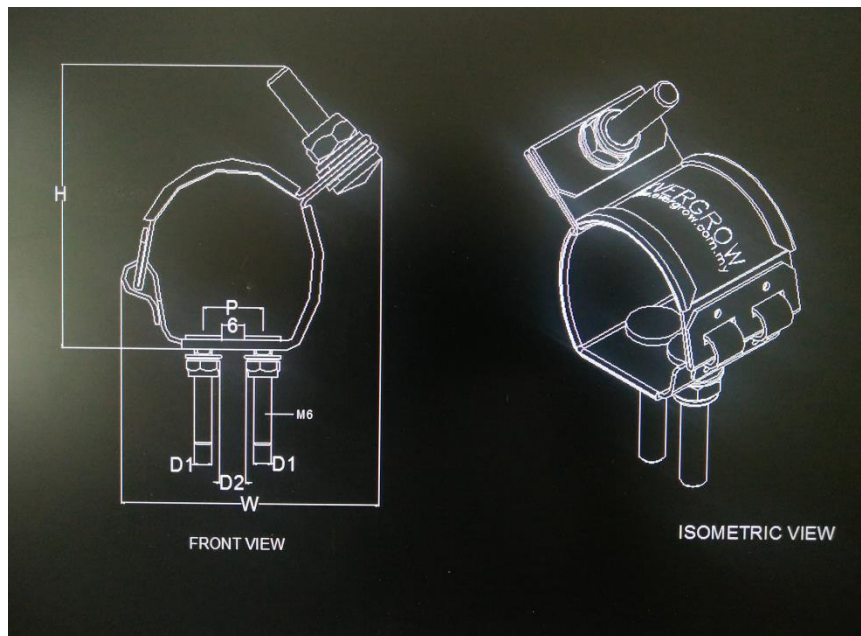
Non-Magnetics..

BS EN 50368: 2003 TEST RESULTS

Properties	Classification Clause	Units / Classification	Application Test Da
Cleat Type	6.1, 6.1.3	Metallic	-
Impact Resistance	6.2, 6.25, 9.3	Very Heavy Classification 6.7kG. @ 300mm	No Visual Defect Passed
Resistance to Electromechanical Force	6.3, 6.3.2.2, 9.4	kA@300mm	120kA. RMS 264kA. Peak
Needle Flame Test	6.5, 10.0	Application Time (Sec.)	> 120 Passed
Lateral Load Test	9.2	Newton (N)	20,000N.
Axial Movement Test	9.5	Newton (N)	5,000N.

Premium Stainless Steel Trefoil Cleat Selection Table.

Item	Model	Cable Diameter Range mm	Height mm	Width mm	Fixing Hole mm
1	PSS20	20-25	65	60	M8
2	PSS26	26-32	75	74.9	M8
3	PSS33	33-38	99	86.9	M8
4	PSS38	38-44	108	102	M8
5	PSS45	45-50	112	115	M8
6	PSS51	51-55	128	117	M8
7	PSS55	55-60	133	132	M10
8	PSS60	60-65	145	150	M10
9	PSS65	65-68	150	132	M10
10	PSS69	69-74	165	175	M10



SINGLE CABLE PREMIUM SUS CLEATS

SGLCleats. Premium Stainless Steel Cleat for Single Cable Applications.

(Available in SS304 & SS316)

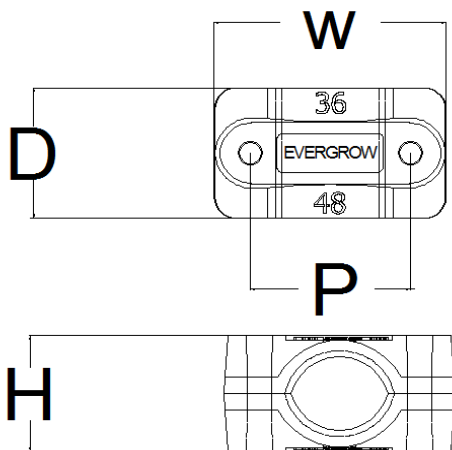
Item	Model	Cable Diameter Range mm	Bottom Fixing Hole mm
1	SGL 20.0 - 23mm	20.0 - 23.0	M8
2	SGL 23.1 - 26.1	23.1 - 26.1	M8
3	SGL 26.2 - 29.2	26.2 - 29.2	M8
4	SGL 29.3 - 32.3	29.3 - 32.2	M8
5	SGL 32.4 - 35.4	32.4 - 35.4	M8
6	SGL 35.5 - 38.5	35.5 - 38.5	M8
7	SGL 38.6 - 41.6	38.6 - 41.6	M8
8	SGL 41.7 - 44.7	41.7 - 44.7	M10

9	SGL 44.8 - 47.8	44.8 - 47.8	M10
10	SGL 47.9 - 50.9	47.9 - 50.9	M10
11	SGL 51.0 - 53.0	51.0 - 54.0	M10
12	SGL 53.1 - 56.2	54.1 - 57.1	M10
13	SGL 56.2 - 59.2	57.2 - 60.2	M10
14	SGL 59.3 - 62.3	60.3 - 63.3	M10
15	SGL 62.4 - 65.4	63.4 - 66.4	M12
16	SGL 65.5 - 68.5	69.5 - 72.5	M12
17	SGL 68.6 - 71.6	72.6 - 75.6	M12
18	SGL 71.7 - 74.7	75.7 - 78.8	M12



Cast aluminium alloy cable cleats are designed for higher specification projects which call for an all metal non-metallic type product. The cleats are manufactured from aluminium alloy casting to BS EN50368:2003 standard. LM6 grade aluminium are used for the production of our cleats. The product can be epoxy coated for use in harsh environments, such as sea air or chemical plant conditions.

EVERGROW Aluminum 2 Holes Cleat



Item	Model	Cable Diameter Range mm	DIMENSION IN mm				Fixing Hole mm	Qty. Per Box	Weight gm. Per set (Appx.)
			W	H	D	P			
1	2H-1E	15-28	70	24	30	48	M8	50 Set	70
2	2H-2E	28-35	89	44	53	60	M10	50 Set	276
3	2H-3E	36-48	106	55	63	73	M10	50 Set	476
4	2H-4E	46-62	122	68	68	85	M10	50 Set	756
5	2H-5E	60-80	138	88	74	100	M10	25 Set	964
6	2H-6E	80-100	165	110	76	132	M10	25 Set	1,268
7	2H-7E	100-118	210	146	102	170	M12	25 Set	1,600

Bigger sizes are available on request

2-Hole Cleat Test Information

Properties	BS EN 50368:2003 Classification Clause	Units / Classification	Test Data
Cleat Type	6.1, 6.1.3	Metallic	-
Impact Resistance	6.2, 6.2.5, 9.3	Very Heavy Classification (>6.7kG.@300mm)	Pass
Resistance to Electromechanical Force	6.3	IEC61914: 2009	65kA. RMS 143kA. Peak
Temperature for Permanent Application	6.4	Degree C.	-10 to +100
Needle Flame Test	6.5, 10.0	Application Time (seconds)	>120
Lateral Load Test	9.2	Newtons (N)	60kN.
Axial Movement Test	9.5	Newtons (N)	28kN.

EVERGROW ALUMINUM TREFOIL CABLE CLEAT

EVERGROW trefoil cleat are manufactured using LM6 Aluminium alloy. The trefoil cleats are tested to BS EN 50368:2003 Standard. Suitable for marine use. All Screws, Pins, Washers and spring washers are of SUS316.

The aluminium Trefoil has been tested to withstand **130kA**. Peak. It has further been subjected to 16kA RMS Short Circuit with a cleat distance of 2.4 meters. It has also been tested under Destruction Test and has passed the Vertical and Horizontal Pull without any failure.



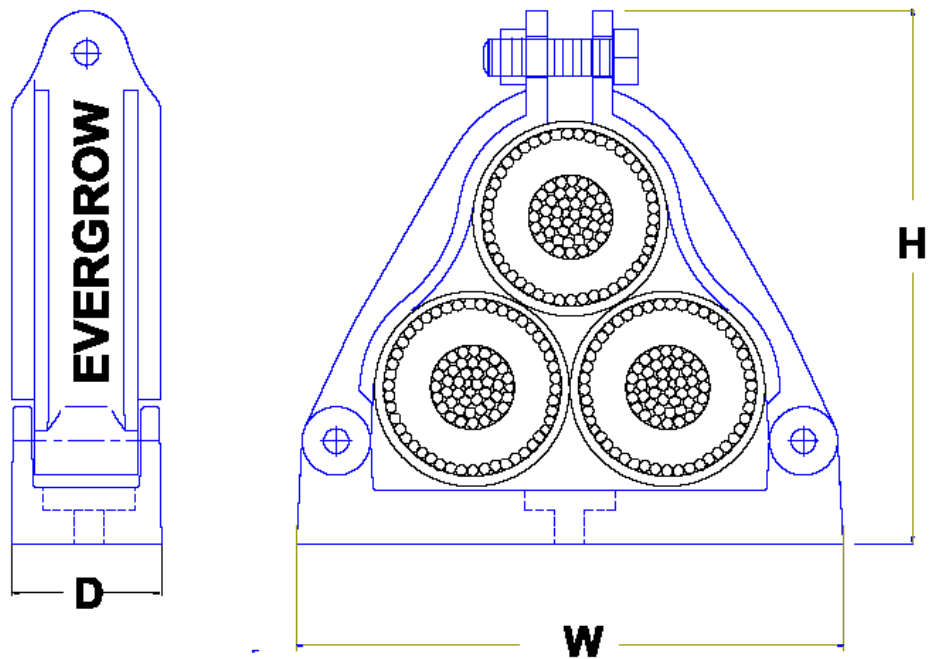
Evergrow Trefoil Test Information BS EN 50368: 2003

Properties	BS EN 50368:2003 Classification Clause	Units / Classification	Test Data
Cleat Type	6.1, 6.1.3	Metallic	-
Impact Resistance	6.2, 6.2.5, 9.3	Very Heavy Classification (>6.7kG.@300mm)	Passed.
Resistance to Electromechanical Force	6.3, 6.3.2.2, 9.4	kA.	60kA. RMS 132kA. Peak
Temperature for Permanent Application	6.4	Degree C.	-40 to +150
Needle Flame Test	6.5, 10.0	Application Time-seconds	>120
Lateral Load Test	9.2	Newtons (N)	25kN.
Axial Movement Test	9.5	Newtons (N)	4kN.

Evergrow Aluminum Trefoil Cleat

Test Information taken in AES Destruction Test by MTR Hong Kong

	MTR HK REQUIRED	Evergrow Aluminum Trefoil Test Data
Vertical Pull	60 kG.	580 kG.
Horizontal Pull	60 kG.	312 kG.



Selection table for Evergrow Aluminum Trefoil Cleats

Item	Model	Cable OD	Dimension mm			Fixing Hole	Appx. Weight
			W	H	D		
1	AT 01-21.0	18.0-21.0	73	62	40	M6	174
2	AT 02-24.1	21.1-24.1	81	70	40	M6	195
3	AT 03-27.2	24.2-27.2	90	79	45	M8	252
4	AT 04 30.3	27.3-30.3	97	88	45	M8	265
5	AT 05 33.3	30.4-33.4	103	90	45	M8	282
6	AT 06 36.5	33.5-36.5	117	100	50	M8	404
7	AT 07 39.6	36.6-39.6	123	106	50	M8	428
8	AT 08 42.7	39.7-42.7	130	111	60	M8	465
9	AT 09 45.8	42.8-45.8	136	122	50	M8	482
10	AT10 48.9	45.9-48.9	142	124	50	M8	502
11	AT11 52.0	49.0-52.0	148	137	50	M8	522
12	AT12 55.1	52.1-55.1	155	140	50	M8	540
13	AT13 58.2	55.2-58.2	160	144	50	M8	589
14	AT14 61.3	58.3-61.3	168	153	55	M10	710
15	AT15 64.9	61.4-64.9	187	165	55	M10	770
16	AT16 68.5	65.0-68.5	192	174	55	M10	830

EVERGROW MULTI DC & QUAD CLEATS



Evergrow Multi Cleats are designed according to customer needs and requirements. We are able to design MULTI Cleat according to customer cable different cables' Overall Diameter as well as different combination of cables in the Multi Cleats.

Evergrow Multi Cleats are easily installed. Unlike competitor's variable cleat system, which uses the simple key slot type which is difficult to install properly. Competitors' Variable does not provide even grip on all the cables. Competitors' slot key opening/closing system, do not provide full grip on multi OD cables & installation are slow and time consuming.

EVERGROW MULTI uses a simple SUS screw at the top which not only distribute even force to the different cables.

EVERGROW MULTI uses fixed **FOLDED sides**, and all installed cleats will be of even strength, as the folded sides are pre-adjusted to fit all the different cables OD, easily.

It can further be install using airgun spanner for fast installation.

EVERGROW MULTI cleat can be design to suit 1, 2,3,4 or any combination of cable with different OD.

EVERGROW MULTI fast, simple to use with superior strength.