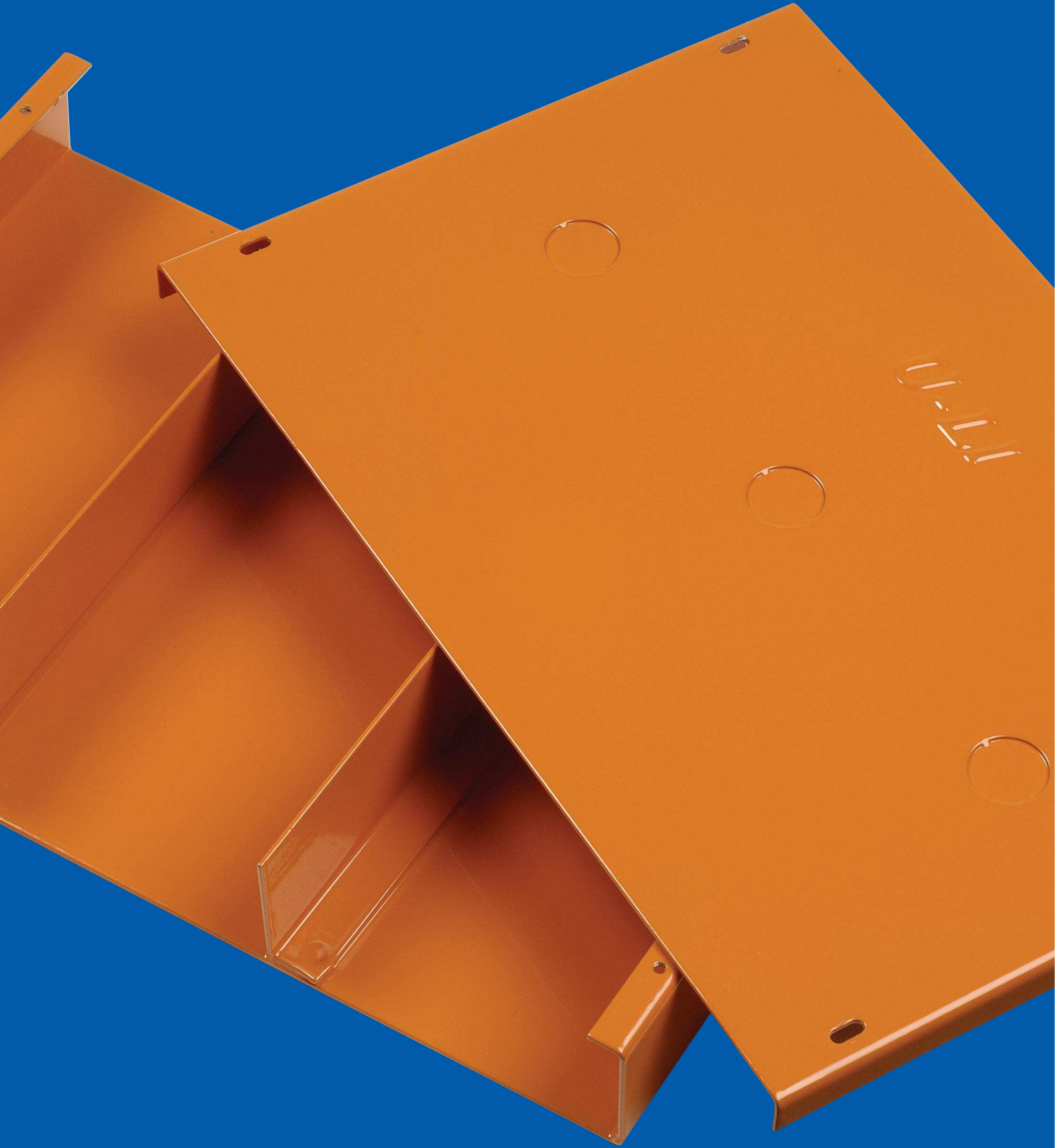


Raisedfloor Trunking



Raisedfloor Trunking

Standard Length:

2.44 / 3.0meter

Standard Finish:

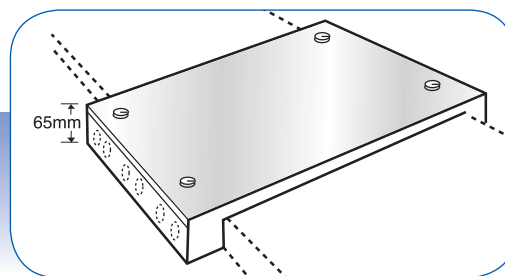
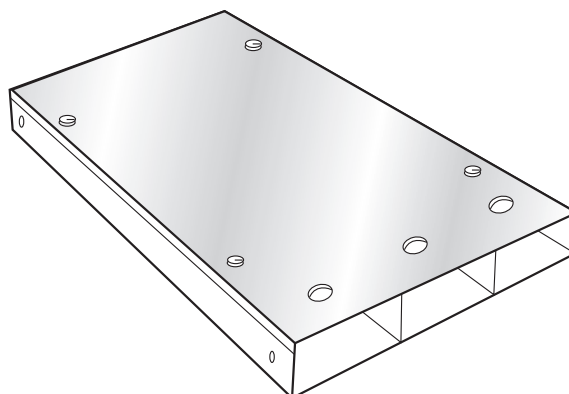
Manufactured from 1.6mm Galvanised Steel to BS2989

Product Codes

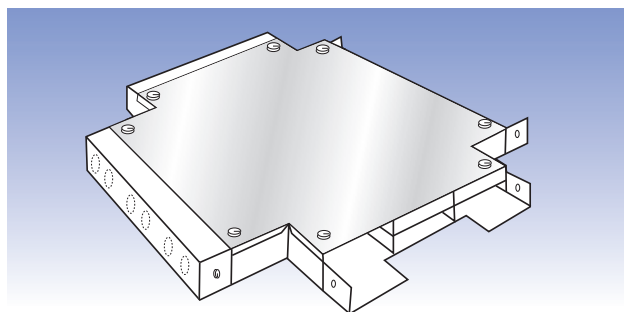
Size (mm)	2 Compartment	3 Compartment
200 x 40	RFT 840/2	RFT/840/3
300 x 40	-	RFT/1240/3
400 x 40	-	RFT/1640/3

Notes: Other dimensions and variations are available upon request.

The Tap Off Unit can be placed at any position along the Raisedfloor Trunking. It allows a 20mm and 25mm flexible conduit to be connected via knockouts whilst maintaining full segregation.

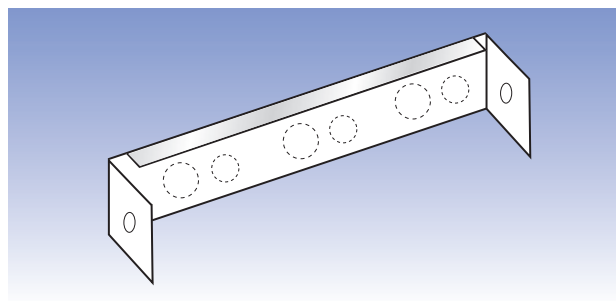


Accessories



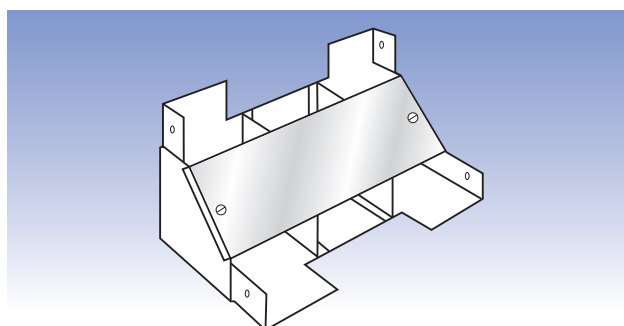
Junction Box

RFJB/(Size)/2	2 Compartments
RFJB/(Size)/3	3 Compartments



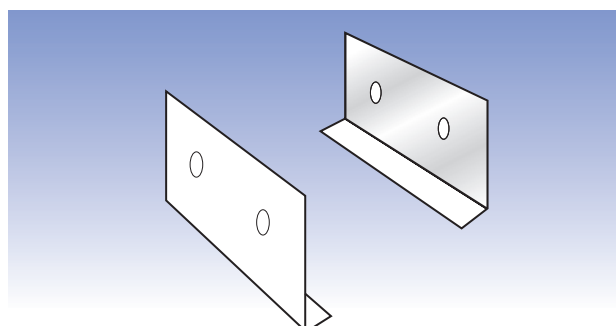
End Cap

RFEC/200	Suitable for 200mm wide trunking
RFEC/300	Suitable for 300mm wide trunking
RFEC/400	Suitable for 400mm wide trunking



Riser Bend

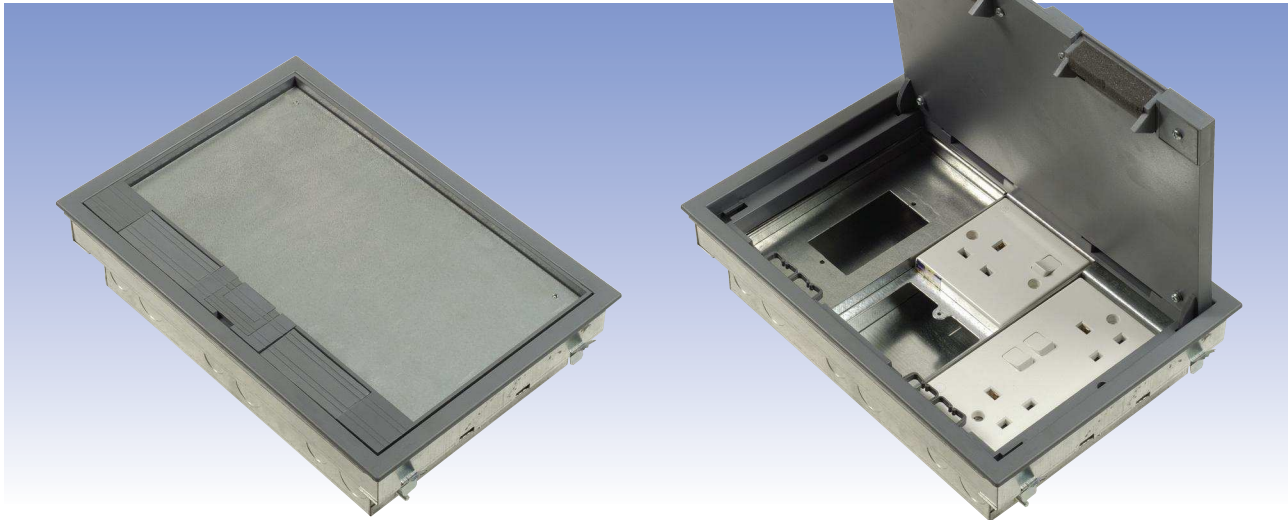
RIB2/(Size)/2	2 Compartments
RIB2/(Size)/3	3 Compartments



Standard Coupler

RFSC/40	
---------	--

TRUNKING



Service Outlet Box

UL-RFSB For 2 Compartments

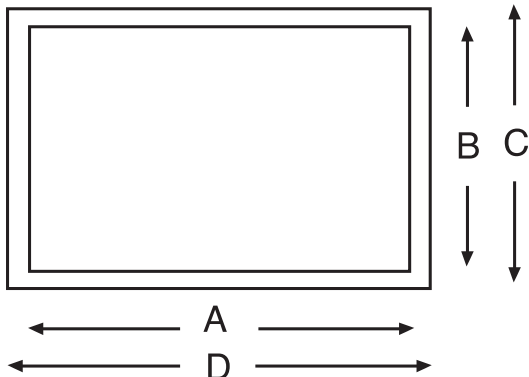
UL-RFSB For 3 Compartments

Standard Finish : Epoxy Powder Coated

Service Outlet Boxes are designed to be suspended from Raisedfloor panels. The aperture required and external dimensions of flange are:

Product Code	A	B	C	D
RFSB/2	285	195	225	330
RFSB/3	285	195	225	330

Overall Depth 85mm



Other sizes are available upon request.

Service Boxes

The U-LI raised service box is designed specially to meet the requirements of a raised access flooring environment. The service box consists of three main components:

- **Box Base Frame**
- **Trap and Frame**
- **Outlet Panel**

The box base frame is manufactured from hot dipped galvanised steel sheets that conform to BS 2898. The three compartment box which carries the outlet panel has provision for knockout holes to facilitate conduit entry to each compartment.

The carpet trim and trap are moulded from polycarbonate which gives it great mechanical strength and excellent impact resistance. The carpet trim and trap are bolted on a hot-dipped galvanised steel frame to increase support strength.

The powder coated outlet panel provides access to power, voice and data outlets. Non-standard service outlet panels are also available on request.



RAISED FLOOR

Raisedfloor Trunking System

