



fasteners

Table of Contents

Spring Nuts	45
General Fasteners.....	46

Material

UliStrut ® spring nuts are manufactured from mild steel bars. The end product is a nut with two grooves, each possessing sharp teeth. The sharp teeth provide grip by biting into the return lips of the UliStrut ® channel giving it greater resistance to slip and pull-out. UliStrut ® spring nuts conform to BS6946:1988.

Hex Set screws are available in Grade 8.8 or Grade 4.6. Threaded rods are available in Grade 4.6. Hex nuts are available in Grade 8 or Grade 4.

U-LI Ulinut ® is a high quality spring nut manufactured from stainless steel Grade 316. Fasteners manufactured from other materials can also

be supplied upon request.

Finishes

The standard finish for this product is Zinc Electroplated - Industrial - clear passivated - bright to BS7371 Part 1:1991 for threaded products and BS1706:1960 for UliStrut ® spring nuts.

Dimensions

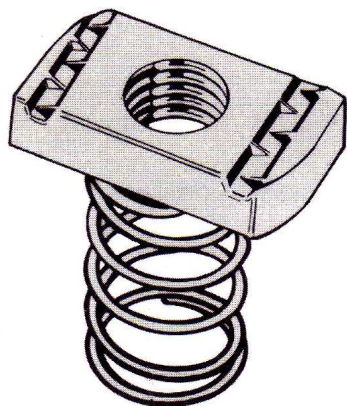
All dimensions used in this section are in millimeters (mm) unless otherwise stated.

Performance

For maximum allowable pull-out and slip loads, refer to page 45.

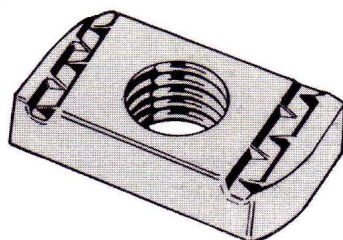
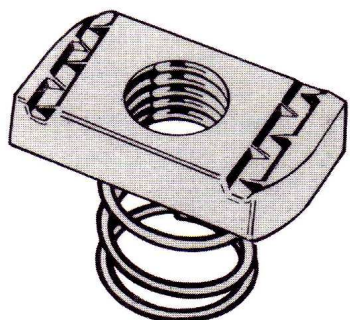
Spring Nuts

Long Spring Nut



Thread Size	Weight g
M6	26.6
M8	30.5
M10	38.2
M12	44.6

Short Spring Nut



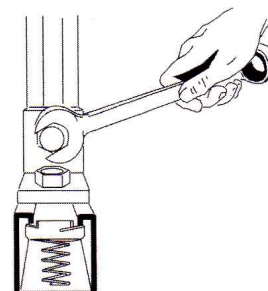
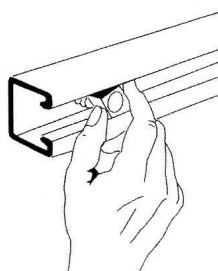
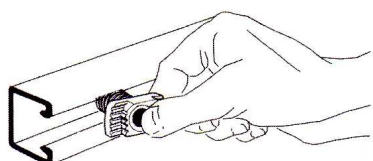
Thread Size	Weight g
M6	25.6
M8	29.5
M10	37.2
M12	35.1

Maximum allowable pull-out and slip loads

Spring Nut with or without spring	Hardened spring nut and grade 8.8 electrogalvanized bolts			Unhardened spring nut and grade 4.6 electrogalvanized bolts		
	Pull out strength	Resistance to slip	Torque	Pull out strength	Resistance to slip	Torque
Size	kg	kg	Nm	kg	kg	Nm
M6 short & long	470	95	7.5	400	50	5
M8 short & long	750	260	28	700	80	11
M10 short & long	1000	390	55	900	110	22
M12 short	1000	390	70	900	110	22
M12 long	1100	640	95	1000	260	38

Note: Spring nuts without springs are also available.

Ulinut ® & Spring Nut Installation



General Fasteners

UL2663S



Length	M6	M8	M10	M12
	Weight	Weight	Weight	Weight
mm	g	g	g	g
20	5.9	12.2	22.7	32.0
25	6.7	13.8	25.4	36.2
30	7.6	15.4	27.9	39.2
35	8.4	17.1	30.5	43.1
40	9.2	18.7	32.9	47.0
45	10.2	20.3	35.5	50.5
50	10.9	21.4	37.7	54.3
55	11.8	23.6	40.0	60.0
60	12.7	25.1	42.6	61.3
70	14.4	28.4	47.6	68.5

UL2542S



Length	M6
	Weight
mm	g
12	5.5
20	7.0
25	7.6

UL2542 Double



Length	M10	M12
	Weight	Weight
mm	g	kg
45	28.3	46.0

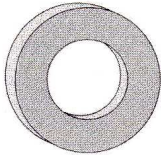
General Fasteners

Threaded Rod



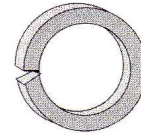
Length	M6	M8	M10	M12
	Weight	Weight	Weight	Weight
mm	g	g	g	g
2000	460	920	1450	2124

Flat Washer



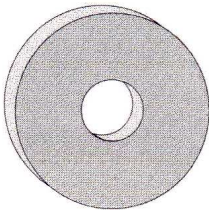
M6	M8	M10	M12
Weight	Weight	Weight	Weight
g	g	g	g
0.7	1.4	2.5	4.0

Spring Washer



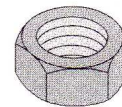
M6	M8	M10	M12
Weight	Weight	Weight	Weight
g	g	g	g
0.5	1.0	1.7	2.5

Fender Washer



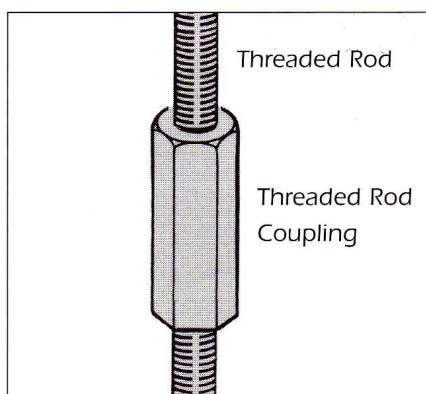
M6	M8	M10	M12
Weight	Weight	Weight	Weight
g	g	g	g
7.2	10.3	14.2	15.7

Hex Nut



M6	M8	M10	M12
Weight	Weight	Weight	Weight
g	g	g	g
3.1	4.5	12.0	15.0

Coupling Nut



M6	M8	M10	M12
X	X	X	X
25mm	25mm	30mm	30mm
Weight	Weight	Weight	Weight
g	g	g	g
11.4	18.7	41.6	47.6

Electrical Support

The UliStrut electrical support system provides a functional and attractive solution where hanging, support and mounting is required. The ability to obtain bracket, channel, clamp, cable tray and ladder systems from one source provides the customer with a one-stop solution centre.

