

# PGWP

## T8 and LED Weatherproof Batten

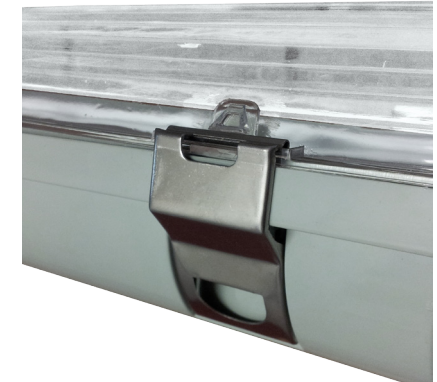


### Features

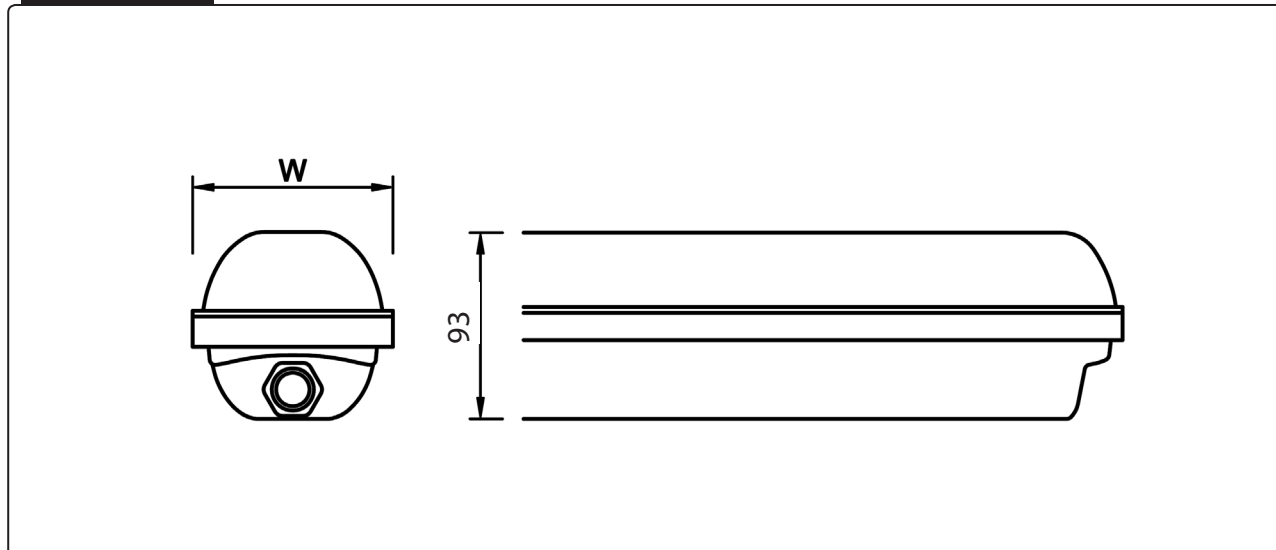
- Polycarbonate body in soft grey colour.
- Clear prismatic polycarbonate diffuser.
- Epoxy white powder coated cold roll steel gear tray.
- Durable polyurethane foam seal ensures the IP65 weather protection.
- Supply with stainless steel clips fitted to the body and stainless steel mounting bracket.

### Applications

Ideal for exposed applications around areas with adverse conditions and environments, such as waterfront areas, carparks, industrial & construction sites for general security.



### Technical



Product Codes		Dim
Code	Version	(mm)
PGWP118	1 x 18W T8	96 x 93 x 650
PGWP218	2 x 18W T8	130 x 93 x 650
PGWP136	1 x 36W T8	96 x 93 x 1260
PGWP236	2 x 36W T8	130 x 93 x 1260
PGWP158	1 x 58W T8	101 x 95 x 1560
PGWP258	2 x 58W T8	135 x 95 x 1560
PGWP136L	1 x 18W LED	96 x 93 x 1260
PGWP236L	2 x 18W LED	130 x 93 x 1260

For Magnetic Gear add suffix C, eg. PGWP236C  
 For Electronic Gear add suffix EL, eg. PGWP236EL  
 For Emergency Version add suffix EM, eg. PGWP236EM