



LED Downlight Utility

Features

- Flicker Free
- Easy Installation
- Energy Saving

Benefits

- Light without flicker reduces stress while working/living underneath
- Light housing and driver on board design ensure 1 step plug-and-play
- Up to 60% energy savings from CFL downlight

Application



Specification

Item Code	Item Description	Power (W)	Power Factor	Lumen (lm)	Efficacy (lm/W)	Input Current (mA)	CRI	Lifetime (L70B50)	MOQ (pcs)
140059662	LEDDownlightRc-Utl-R100-6W-3000-WH-NVV	6	0.5	340	56.67	45	>70	15000	1000
140059663	LEDDownlightRc-Utl-R100-6W-4000-WH-NVV	6	0.5	370	61.67	45	>70	15000	1000
140059664	LEDDownlightRc-Utl-R100-6W-6000-WH-NVV	6	0.5	370	61.67	45	>70	15000	1000
140059665	LEDDownlightRc-Utl-R150-12W-3000-WH-NV	12	0.5	740	61.67	90	>70	15000	1000
140059666	LEDDownlightRc-Utl-R150-12W-4000-WH-NV	12	0.5	800	66.67	90	>70	15000	1000
140059667	LEDDownlightRc-Utl-R150-12W-6000-WH-NV	12	0.5	800	66.67	90	>70	15000	1000
140058544	LEDDownlightRc-Utl-R200-18W-3000-WH-NV	18	0.5	1140	63.33	150	>70	15000	1000
140058546	LEDDownlightRc-Utl-R200-18W-4000-WH-NV	18	0.5	1200	66.67	150	>70	15000	1000
140058547	LEDDownlightRc-Utl-R200-18W-6000-WH-NV	18	0.5	1200	66.67	150	>70	15000	1000

Technical Specifications

Colour Consistency (SDCM)	6
Dimmable	No
Finishing Colour	White
IP	IP20
IK	IK02
Driver Integrated (Yes/No)	No
Glow Wire Test	650°C
Driver Failure Rate	1% at 5000h
Weight (kg/pc)	0.145/0.264/0.387

Electrical Supply

Frequency (Hz)	50/60
Voltage (V)	220-240
AC/DC	AC

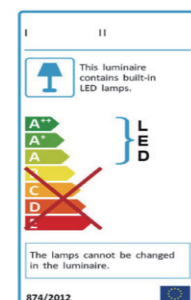
Mechanical Properties

Housing Material	PC
Optical Material	PP

Application Conditions

Operating Temperature	-25-50°C
Application Temperature	25°C
Storage Environment	-25-50°C

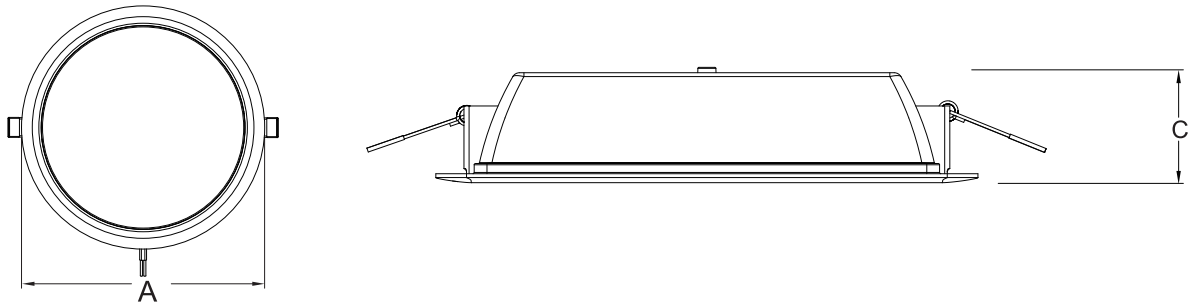
CE CB



Packaging Information

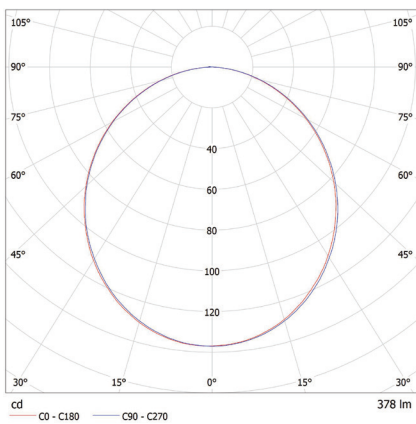
Item		Single Box(1pc/box)		Packaging Unit		
Item Code	Item Description	Dimensions(mm) (LxWxH)	Gross Weight (kg)	Dimensions(mm) (LxWxH)	Gross Weight (kg)	Packing Qty (pcs/unit)
140059662	LEDDownlightRc-Utl-R100-6W-3000-WH-NVV	136*117*55	0.145	460*248*154	2.32	16
140059663	LEDDownlightRc-Utl-R100-6W-4000-WH-NVV	136*117*55	0.145	460*248*154	2.32	16
140059664	LEDDownlightRc-Utl-R100-6W-6000-WH-NVV	136*117*55	0.145	460*248*154	2.32	16
140059665	LEDDownlightRc-Utl-R150-12W-3000-WH-NV	184*167*62	0.264	453*348*202	3.696	14
140059666	LEDDownlightRc-Utl-R150-12W-4000-WH-NV	184*167*62	0.264	453*348*202	3.696	14
140059667	LEDDownlightRc-Utl-R150-12W-6000-WH-NV	184*167*62	0.264	453*348*202	3.696	14
140058544	LEDDownlightRc-Utl-R200-18W-3000-WH-NV	235*218*66	0.387	694*230*255	3.87	10
140058546	LEDDownlightRc-Utl-R200-18W-4000-WH-NV	235*218*66	0.387	694*230*255	3.87	10
140058547	LEDDownlightRc-Utl-R200-18W-6000-WH-NV	235*218*66	0.387	694*230*255	3.87	10

Dimensional Drawing

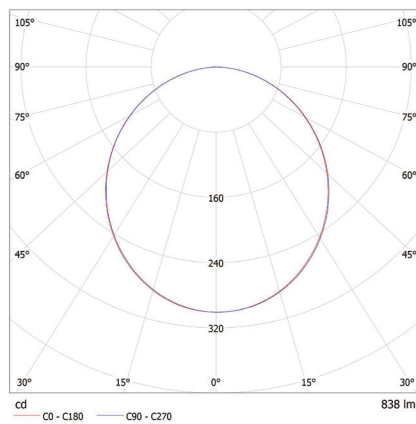


Type	A(mm)	C(mm)
LED DL-RC-Utl R100 6W-NV	Ø112	38
LED DL-RC-Utl R200 12W-NV	Ø162	45
LED DL-RC-Utl R200 18W-NV	Ø213	45

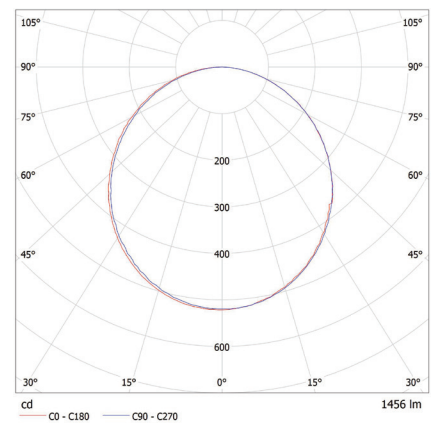
Photometric Data



6W



12W



18W