

PGWP

T8 and LED Weatherproof Batten

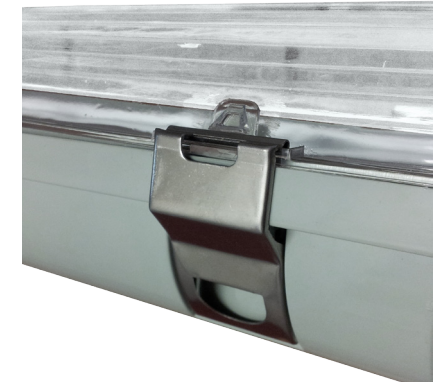


Features

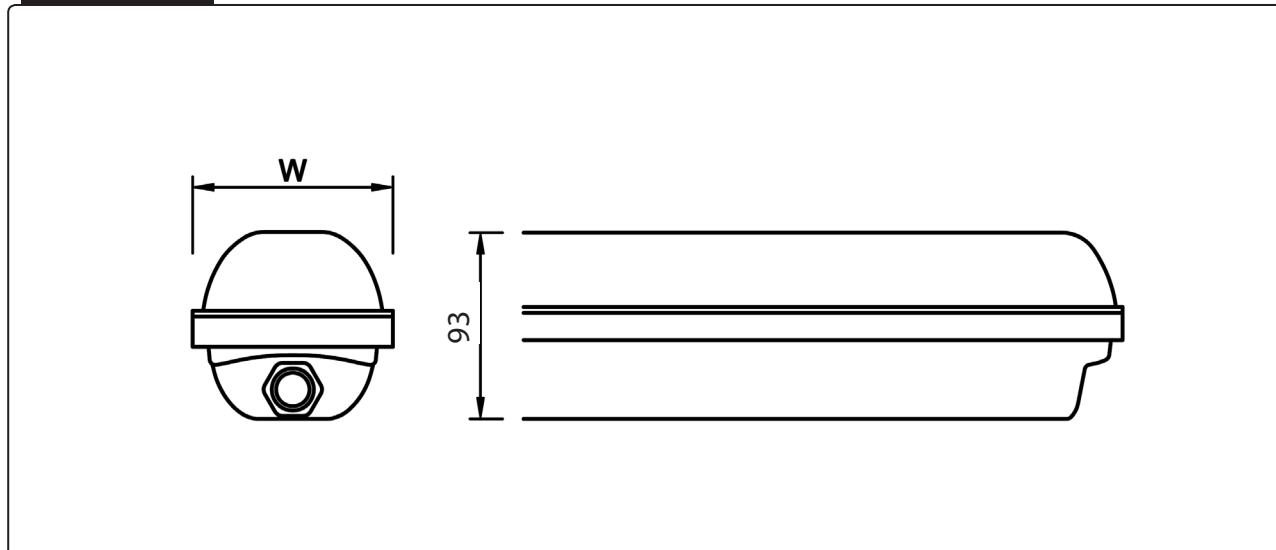
- Polycarbonate body in soft grey colour.
- Clear prismatic polycarbonate diffuser.
- Epoxy white powder coated cold roll steel gear tray.
- Durable polyurethane foam seal ensures the IP65 weather protection.
- Supply with stainless steel clips fitted to the body and stainless steel mounting bracket.

Applications

Ideal for exposed applications around areas with adverse conditions and environments, such as waterfront areas, car parks, industrial & construction sites for general security.



Technical



Product Codes		Dim
Code	Version	(mm)
PGWP118	1 x 18W T8	96 x 93 x 650
PGWP218	2 x 18W T8	130 x 93 x 650
PGWP136	1 x 36W T8	96 x 93 x 1260
PGWP236	2 x 36W T8	130 x 93 x 1260
PGWP158	1 x 58W T8	101 x 95 x 1560
PGWP258	2 x 58W T8	135 x 95 x 1560
PGWP136L	1 x 18W LED	96 x 93 x 1260
PGWP236L	2 x 18W LED	130 x 93 x 1260

For Magnetic Gear add suffix C, eg. PGWP236C
 For Electronic Gear add suffix EL, eg. PGWP236EL
 For Emergency Version add suffix EM, eg. PGWP236EM